

Technical data for the Back Module

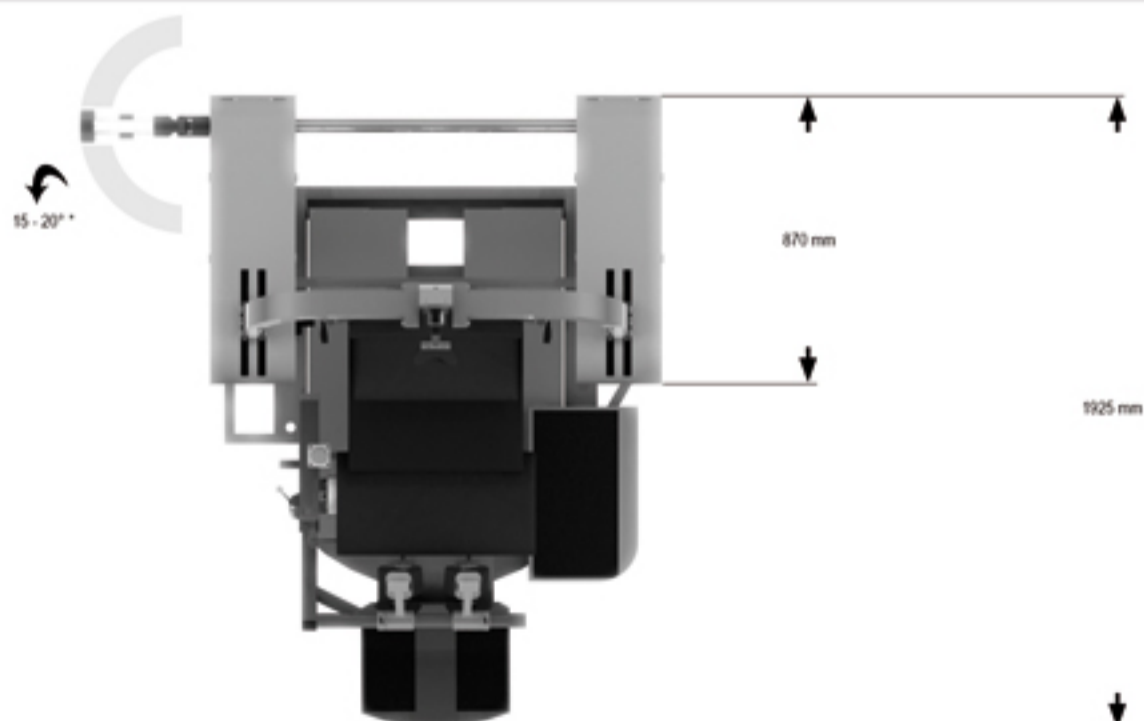
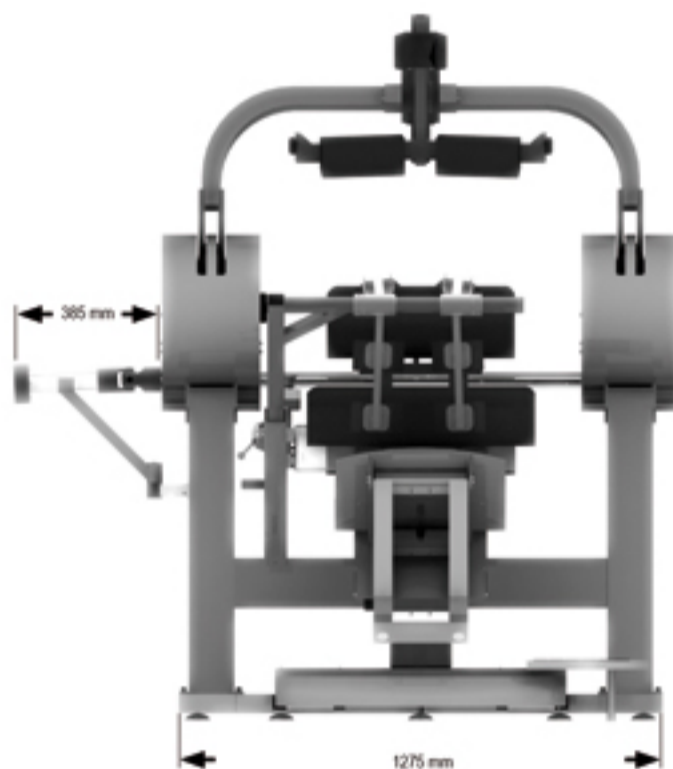
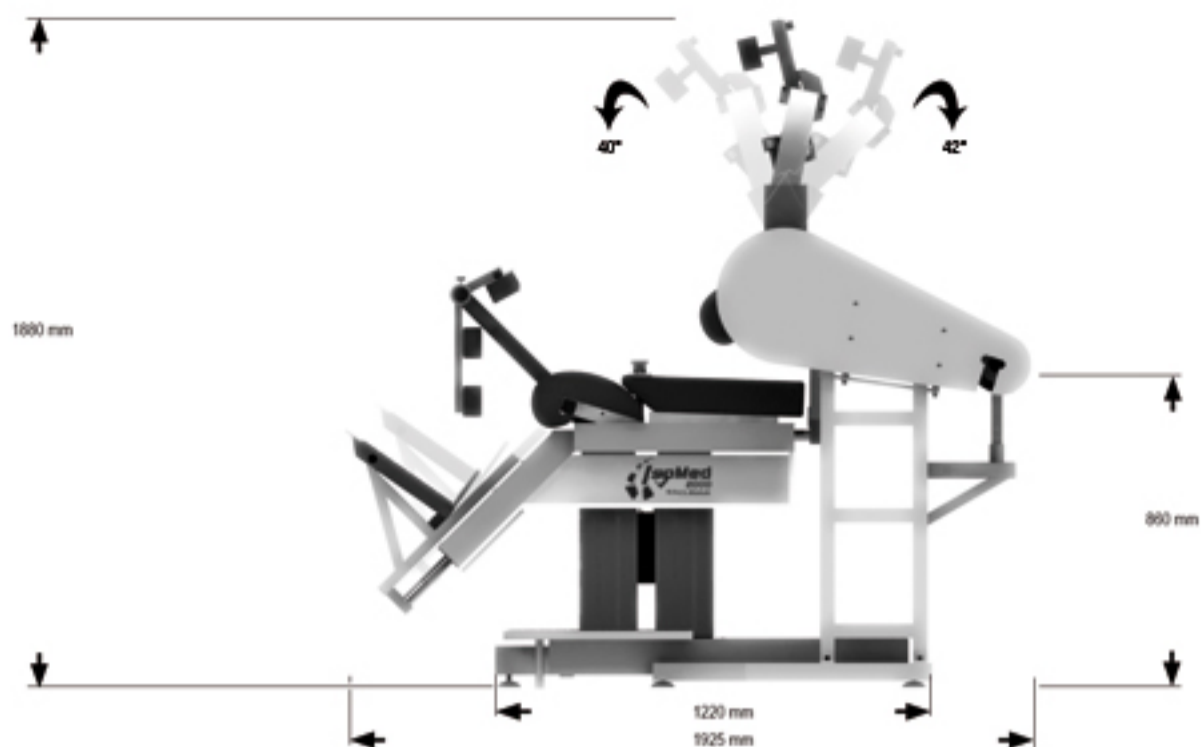


Technical data

	B500	E1000
Torque, maximum	500 Nm	1000 Nm
Speed, maximum*	180°/s	180°/s
Range of Motion, maximum - Foot Plate	250 mm mit 2000N	
Range of Motion, maximum - Pelvis Pad	200 mm mit 2000N	
Range of Motion, maximum - Chair	300 mm mit 1500N	
Range of Motion, maximum - Lifting columns	(2x) 300mm mit 4000N	
Weight of Back Module	425 KG	

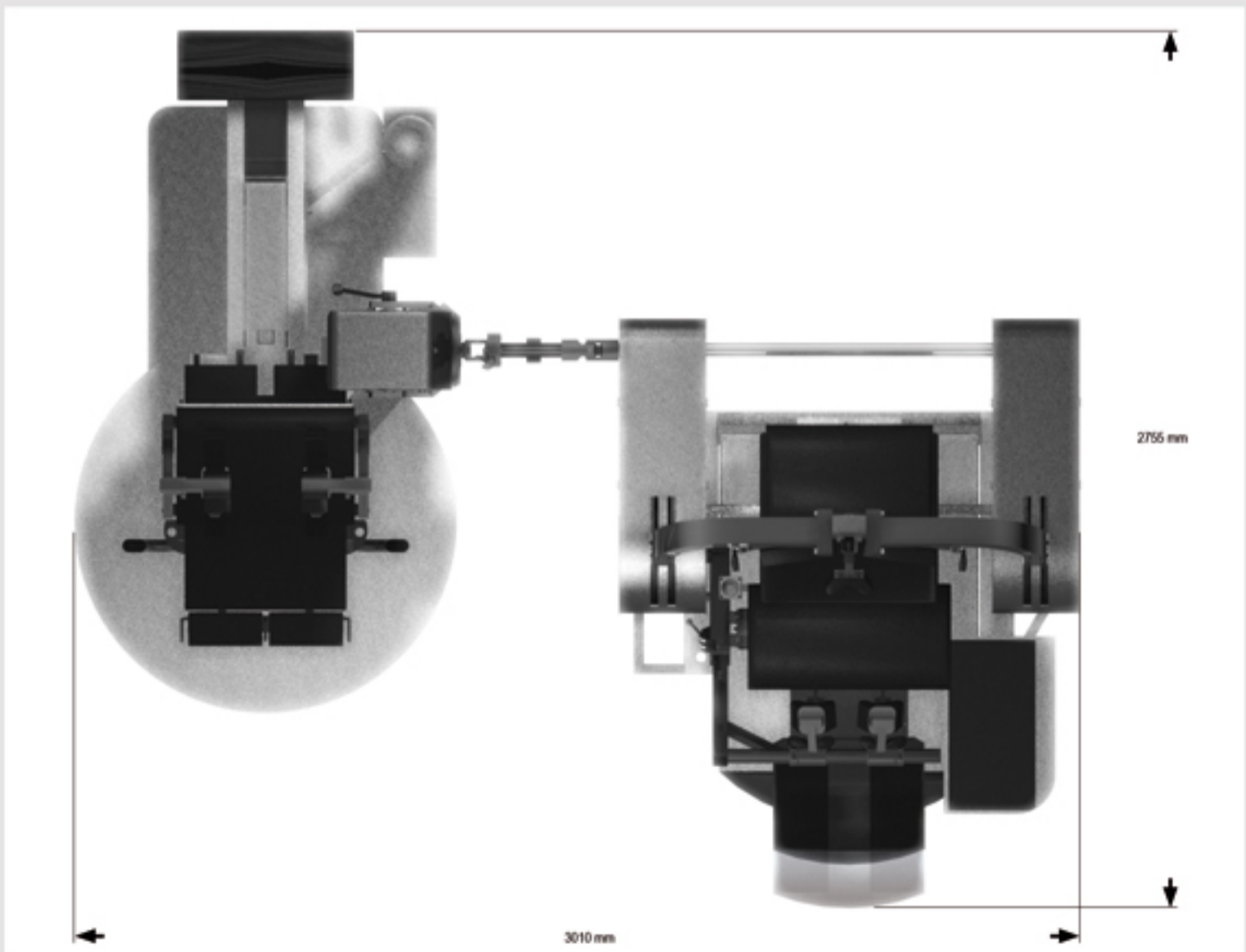
* Using an IsoMed 2000 EXXX-560 your maximum speed will be at 210°/s.

Dimensions



* It is possible to bend the docking axis to 45°. In terms of compatibility to DIRECT CONNECT and the ideal power transmission, a maximum bending angle of round about 15 - 20° are recommended.

Dimensions - Placement



Please note that the measurements go from side to side.. You might need an adequate amount of space on the left and right side. The width might vary between 50 - 100 mm, depending on the docking angle you have used.

D&R GmbH 93155 Hemau
Gewerbering Ost 26
+49-9491-3501