

Technical data for the Legpress athletic

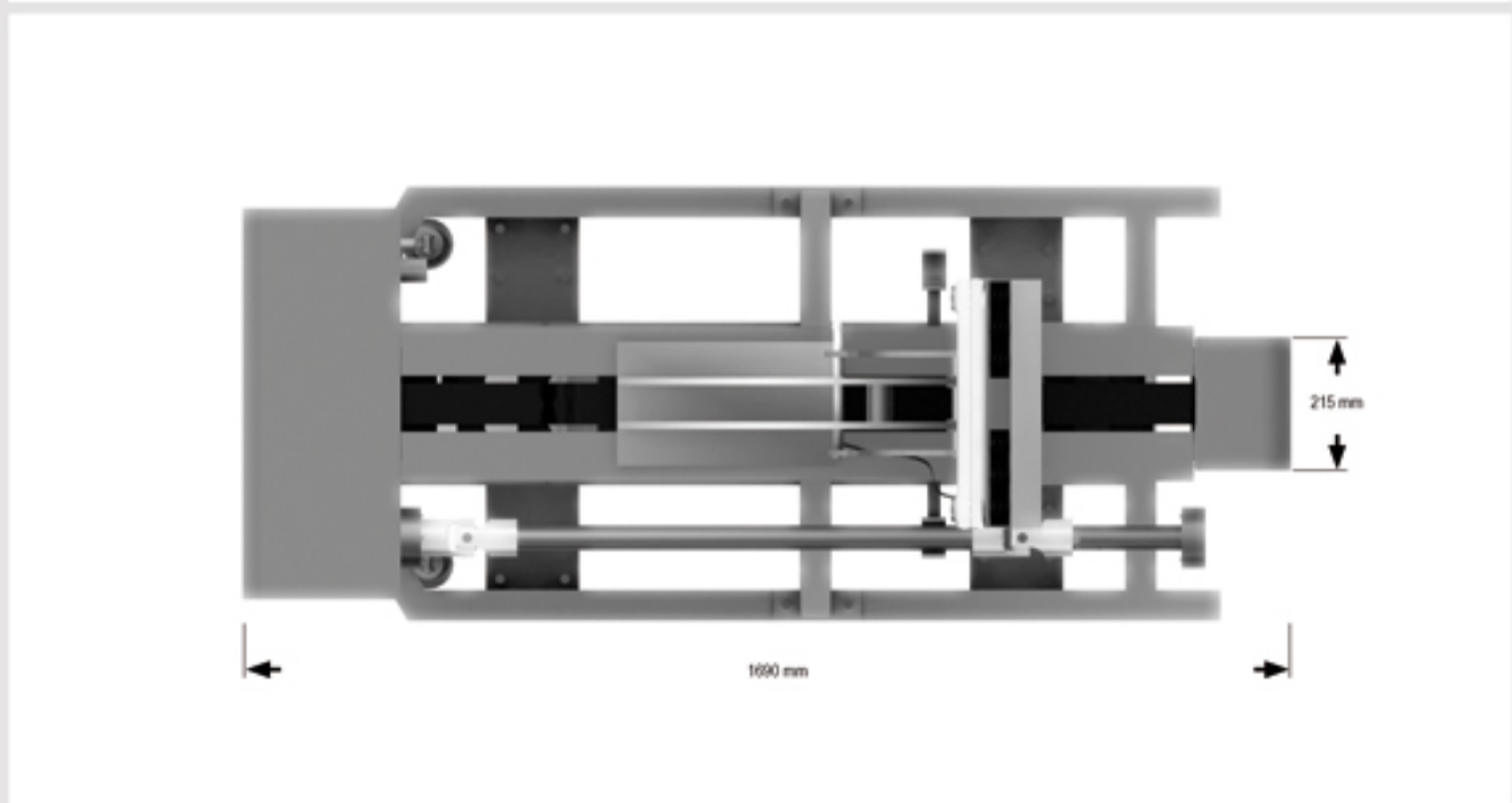
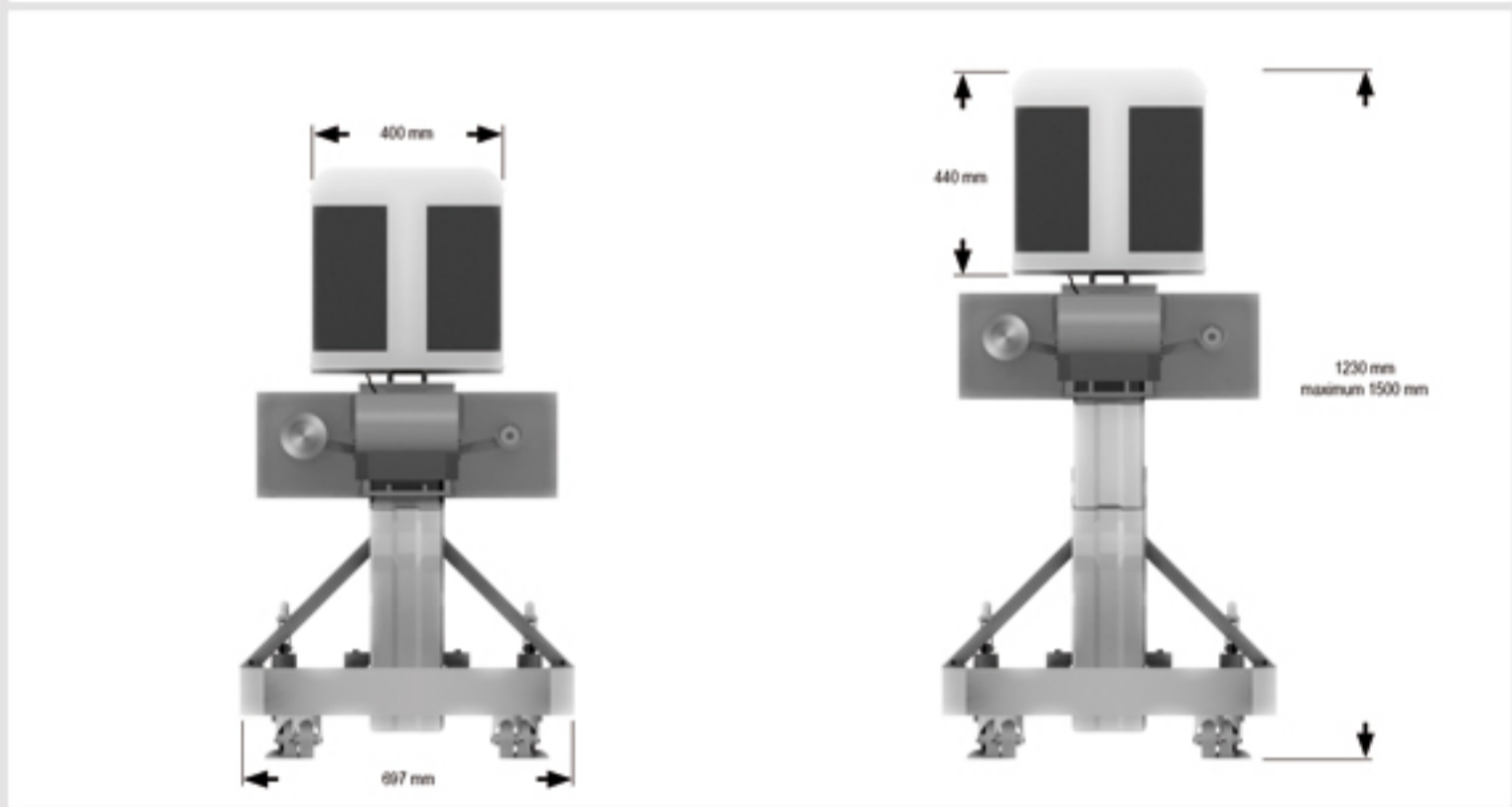
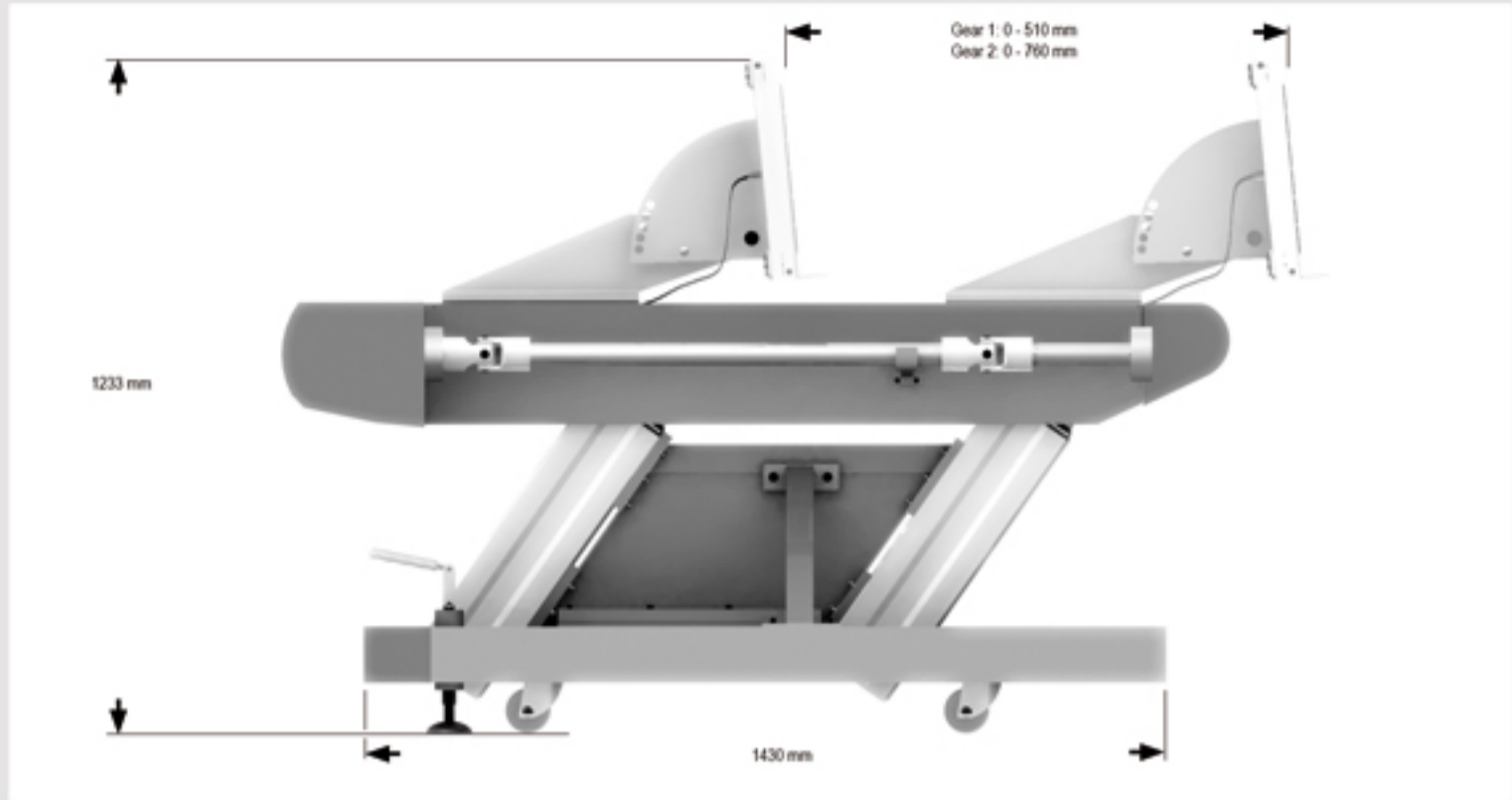


# Technical data

	<b>Gear 1</b>	<b>Gear 2</b>
Speed, maximum	0,8 m/s	1,2 m/s
Force with 750/560 Dynamometer (IsoMed E750-560)	8850 N	5850 N
Force with 700/560 Dynamometer (IsoMed E700-560)	8250 N	5500 N
Acceleration, max. adjustable in 0,02 m/s <sup>2</sup> steps*	7,5 m/s <sup>2</sup>	7,5 m/s <sup>2</sup>
Deceleration in 0,02 m/s <sup>2</sup> steps	10,0 m/s <sup>2</sup>	10,0 m/s <sup>2</sup>
Displacement of sled, maximum	0-51 cm	0-76 cm
Weight of Legpress athletic	485 KG	

\* This value just applies to a sled displacement from 10 to 50 cm.  
Afterwards the steps are 0,02 m/s<sup>2</sup>.

# Dimensions



*All measurements include the EASY MOVE wheels. Please be aware that the IsoMed 2000 may need additional space and you may need additional space to maneuver the Legpress athletic.*

D&R GmbH 93155 Hemau  
Gewerbering Ost 26  
+49-9491-3501